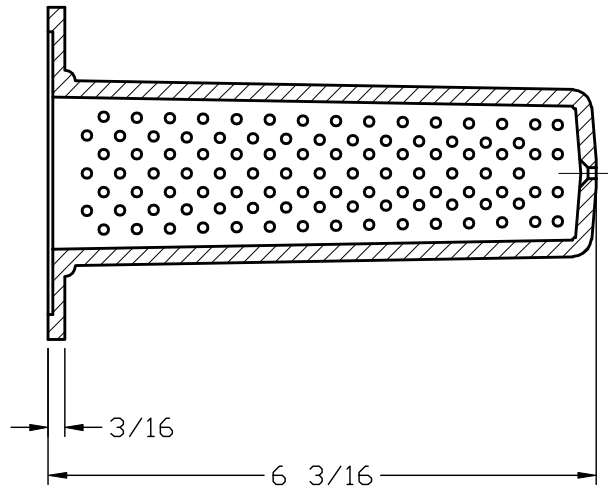
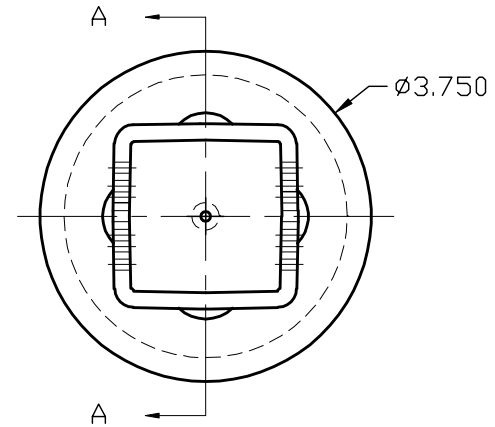


SALES DRAWING

SALES DRAWING



SECTION A-A



D	MRC	12/14/00	REMOVED CHART ADDED BUBBLE ADDED DIMENSIONS
C	MRC	7/15/98	ADDED CHART
B	CLH	2/21/97	WAS Ø 3.125
A	CLH	10/7/96	ADDED PART NO & CROSS REF.
REV	BY	DATE	DESCRIPTION

UNLESS OTHERWISE SPECIFIED  
DIMENSIONAL TOLERANCES

FRACTIONAL	±1/16
X.XX	±0.03
X.XXX	±0.015
ANGULAR	±1°

**SALCO PRODUCTS, INC.** 2D

DRAWN BY: BRW    CHKD BY:    SCALE: 2:1    APPROVAL DATE: 2/23/96

MATERIAL: WHITE NORYL

PART NAME: 3 3/4" DISC SURGE PROTECTOR

THIS PRINT, PROPERTY OF SALCO PRODUCTS INC.,  
CONTAINS PROPRIETARY INFORMATION AND MUST  
NOT BE COPIED, REPRODUCED, OR USED  
DETREMENTALLY TO OUR INTEREST.

PROJECT #:    PROTOTYPE AND DATE:    APPROVED FOR PRODUCTION: BRW

THIRD ANGLE PROJECTION

DRAWING #: B7977    PART #: DSP3750

NOTE:  
CROSS REFERENCE: TRINITY PART # 075-79918-S1  
GATX PART # 367-234